

LG REFRIGERATION

LRSXC2306_

23 cu.ft. Side by Side Refrigerator

Ultra-Large Capacity, 23 cu ft.

Counter Depth

Flat Panel Door Design with Pocket Handles

SpacePlus® Ice System

PrintProof™ Finish

Smooth Touch Dispenser

Interior Display Controls

Door Cooling+

Linear Cooling™

Pharmaceutical Water Filter



CAPACITY

Refrigerator (cu.ft.)	14.76
Freezer (cu.ft.)	7.74
Total Capacity (cu.ft.)	23

WATER & ICE SYSTEM

Dispenser Type	New Dispenser
System Type	SpacePlus®
Daily Ice Production	2.5 lbs / 3.0 (IcePlus)
Ice Storage Capacity	3.5 lbs
Cube & Crushed Ice	Yes
IcePlus™	Yes
Dual Ice with Craft Ice™	No
Water Filter	LT1000P

COOLING

Type	Multi-Air Flow + Door Cooling+
Multi Air Flow Cooling	Yes
Temperature Sensors	4
Refrigerant	R600a
Compressor Type	Linear Compressor
Refrigerant	R600a: Low Global Warming Potential, Zero Ozone Depletion Potential and More Energy Efficient Refrigerant than R134a

DISPLAY

Display Type	Membrane / White LED
Temperature Controls	Electronic/Digital
Door Alarm	Yes
Child Lock	Yes
LoDecibel™ Quiet Operation	Yes
Smart Diagnosis	Yes
Auto Closing Door Hinge	Yes (Cam Hinge Type)
Special Features	Counter-Depth
Sabbath	Yes
ADA Compliant	Yes

REFRIGERATOR

No. of Shelves	4
Cantilevered Shelves	Inner case Supported Type
Shelf Construction	Tempered Glass
Refrigerator Light	Ceiling LED
No. of Door Bins	4
Door Bin Construction	1 Piece (Clear)

FREEZER

Door Type	Side Swing
Drawers / Shelves	Shelves: 5 (Glass) Drawers: 1
Freezer Light	Ceiling LED
Freezer Handle	Newly Designed Pocket Handle (Upper and Lower Pockets)
No. of Door Bins / Construction	2 / 1 Piece(Clear)
Ice Bin / In Door Ice	Icemaker & Ice bin in Door

MATERIALS AND FINISHES

Contour Door	Flat Door
Hidden Hinges	Yes
Surface	Smooth
Handles	Newly Designed Pocket Handle (Upper and Lower Pockets)
Available Colors	Stainless Steel, Stainless Steel Look
Insulation	Cyclopentane: Low Global Warming Potential, and Zero Ozone Depletion Potential Blowing Agent

DIMENSIONS/CLEARANCES/WEIGHTS

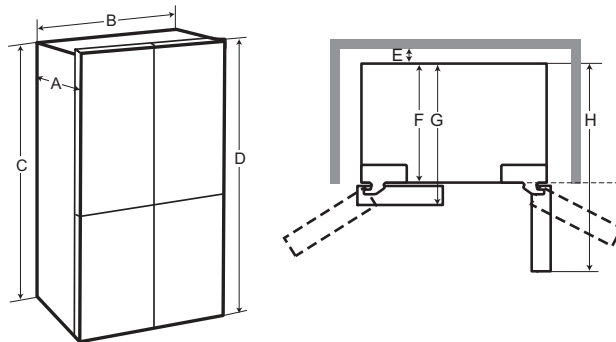
Width	35 7/8"
Height to Top of Hinge	70 1/2"
Depth with Handles	28 7/8"
Width (Door Open 90° without Handle)	38 7/8"
Case Edge Clearance (Door Fully Open)	28 3/4"
L. Case Edge Clearance (Door Fully Open)	12 1/4"
R. Case Edge Clearance (Door Fully Open)	16 1/2"
Width (Door Open 90° with Handle)	38 7/8"
Width (Door Fully Open without Handle)	64 3/8"
Door Edge Clearance with Handle	3/8"
Door Edge Clearance without Handle	3/8"
Height to Top of Case	68 7/8"
Depth without Door	24 3/8"
Depth without Handles	28 7/8"
Depth (to Hinge Cover)	18 1/8"
Depth (Total with Door Open)	46 1/2"
Installation Clearance	Sides 1/8"; Top 1"; Back 2"
Product Weight (Unit/Carton)	240.3 lbs / 246.9 lbs
Carton Dimensions (WxHxD)	37 9/16" x 74 5/8" x 30 3/8"

UPC CODES

LRSXC2306S (Stainless Steel)	195174024614
LRSXC2306V (Stainless Steel Look)	195174024607

Dimensions and Clearances

- Check the dimensions of the appliance and the installation path to ensure there is sufficient room to move the refrigerator through doors or narrow openings.
- If an opening is too narrow to fit the refrigerator through, remove the refrigerator doors. See Removing/Assembling the Doors and Drawers in this manual.
- The installation location chosen for the refrigerator should allow space behind the unit for connections and airflow and space in front to open the doors and drawers.
- Too small of a distance from adjacent items may result in lowered freezing capability and increased electricity consumption charges. Allow at least 2 inches (50 mm) between the back of the refrigerator and the wall.
- Remember to allow enough room in front of the refrigerator to fully open the doors and drawers.



-	Dimension/Clearance	LRSDS2706*, LRSXS2706*, LRSOS2706*	LRSOC2306*, LRSXC2306*
A	Depth	33 15/32" (850 mm)	28 15/16" (735 mm)
B	Width	35 29/32" (912 mm)	35 29/32" (912 mm)
C	Height to Top of Case	68 29/32" (1750 mm)	68 29/32" (1750 mm)
D	Height to Top of Hinge	70 15/32" (1790 mm)	70 15/32" (1790 mm)
E	Back Clearance	2" (50 mm)	2" (50 mm)
F	Depth without Door	28 15/16" (735 mm)	24 7/16" (620 mm)
G	Depth (Total with Door Open 90°)	51" (1295 mm)	46 7/16" (1180 mm)

Removing/Assembling Doors

If the entrance door is too narrow for the refrigerator to pass through, remove the refrigerator doors and move the refrigerator sideways through the doorway.

⚠ CAUTION

- Use two or more people to remove and install the refrigerator doors.

- Disconnect the electrical supply to the refrigerator before installing.
- Do not put hands, feet or other objects into the air vents or bottom of the refrigerator.
- Be careful when handling the hinge and hinge lever.
- Remove food and bins before detaching the doors.
- Do not hold the handle when removing or replacing the doors as the handle may come off.