

## LG REFRIGERATION

## LRDCS2603S

## Bottom Freezer Refrigerator

26 cu.ft. Large Capacity

Door Cooling+

Energy Star® Qualified

Multi-Air Flow System

Premium LED Lighting

2 Humidity Crispers

## AVAILABLE COLORS



PrintProof™ Stainless Steel

## CAPACITY

Refrigerator (cu.ft.)	17.20
Freezer (cu.ft.)	8.30
Total Capacity (cu.ft.)	25.50

## ENERGY

Energy Consumption (kWh/Year)	562
ENERGY STAR® Qualified	Yes

## WATER &amp; ICE SYSTEM

Daily Ice Production (lbs)	2.5 lbs
IcePlus™ Production (lbs)	2.7 lbs
Ice Storage Capacity (lbs)	12 lbs
Ice System	Factory Installed
Water Filter	LT1000P

## COOLING

Linear Compressor	Yes
Door Cooling+	Yes
Smart Cooling™ System	Yes
Multi-Air Flow™ System	Yes
Temperature Sensors	5

Refrigerant	R600a: Low Global Warming Potential, Zero Ozone Depletion Potential and More Energy Efficient Refrigerant than R134a
-------------	--

## CONVENIENCE

Display Type	Membrane (White LED)
Temperature Controls	Electronic/Digital
Door Alarm	Yes
Auto Closing Door Hinge	Yes
Sabbath Mode	Yes
LoDecibel™ Quiet Operation	Yes

## REFRIGERATOR

No. of Shelves	2
Shelf Construction	Spill Protector™ Tempered Glass
Crisper Bins	2
Glide N' Serve™ Drawer	Yes
Refrigerator Light	Ceiling LED

## REFRIGERATOR DOOR

No. of Bins	2 Gallon Sized, 2 Half (tilt), 1 Small
Door Bin Construction	1 Piece (Clear)



## FREEZER

Door Type	Pull Drawer
Drawers	2-Tier Organization
DuraBase™ Solid Drawer Base	Yes
Drawer Divider	Yes
Ice Bin / In-Door Ice	In Freezer
Freezer Light	LED
Freezer Handle	Vista

## SMART FEATURES

SmartDiagnosis™	Yes
-----------------	-----

## MATERIALS AND FINISHES

Contour Door	Yes
Hidden Hinges	Yes
Surface	Smooth
Fingerprint & Smudge Resistant Exterior	Yes
Handles	Matching Commercial Handles
All Available Colors	PrintProof™ Stainless Steel

Insulation	Cyclopentane: Low Global Warming Potential, and Zero Ozone Depletion Potential Blowing Agent
------------	--

## DIMENSIONS/CLEARANCES/WEIGHTS

Depth with Handles	34 7/8"
Depth without Handles	33"
Depth without Door	29 1/2"
Depth (Total with Door Open)	62 3/4"
Height to Top of Case	68 5/8"
Height to Top of Door Hinge	69 7/8"
Width	32 3/4"
Width (Door Open 90° with Handle)	36 1/2"
Width (Door Open 90° without Handle)	34 1/2"
Door Edge Clearance with Handle	4 1/4"
Door Edge Clearance without Handle	2"
Installation Clearance	Sides 1/8", Top 1", Back 1"
Weight (Unit/Carton)	226 lbs. / 250 lbs.
Carton Dimensions (WxHxD)	35" x 73" x 38"

## LIMITED WARRANTY

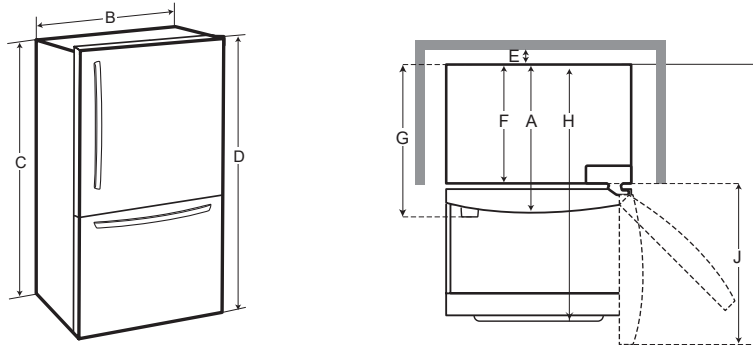
Parts & Labor	1 Year
Sealed System (Parts & Labor)	5 Years
Compressor (Parts & Labor)	5 Years
Inverter Compressor (Parts Only)	6-10 Years

## UPC CODES

LRDCS2603S (PrintProof™ Stainless Steel)	048231803885
--	--------------

## Dimensions and Clearances

- Check the dimensions of the appliance and the installation path to ensure there is sufficient room to move the refrigerator through doors or narrow openings.
- If an opening is too narrow to fit the refrigerator through, remove the refrigerator doors. See Removing/Assembling the Doors and Drawers in this manual.
- The installation location chosen for the refrigerator should allow space behind the unit for connections and airflow and space in front to open the doors and drawers.
- Too small of a distance from adjacent items may result in lowered freezing capability and increased electricity consumption charges. Allow at least 27 inches (686 mm) in front of the refrigerator to open the doors, and at least 2 inches (51 mm) between the back of the refrigerator and the wall.



-	Dimension/Clearance	model
A	Depth without Handle	34" (864 mm)
B	Width	32 4/5" (833 mm)
C	Height to Top of Case	68 1/2" (1740 mm)
D	Height to Top of Hinge	69 4/5" (1774 mm)
E	Clearance	2" (51 mm)
F	Depth without Door	29 4/9" (748 mm)
G	Depth with Handle	35" (889 mm)
H	Depth (Total with Freezer Drawer Open)	53 1/3" (1355 mm)
I	Depth (Total with Door Open 90°)	63 1/4" (1606 mm)
J	Front Clearance	33 7/8" (860 mm)