

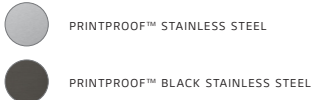
LG REFRIGERATION

LRFS28XB_

27.7 cu. ft. 3-Door French Door Refrigerator

27.7 cu. ft. Capacity
 Cubed and Crushed Ice
 4 Split Shelves
 Smart Inverter
 Smart Diagnosis

AVAILABLE COLORS



Proactive Smart Alerts to Keep Your Appliances Running Smoothly

ThinQ Care

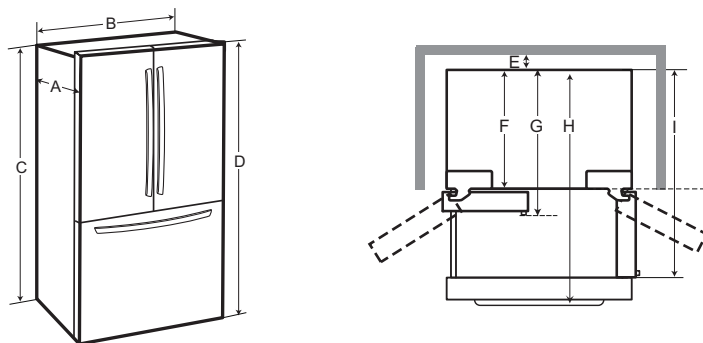
- Preventative Alerts help you stay a step ahead of potential issues to find proactive solutions before problems arise.
- Avoid preventable repairs and service calls with real-time diagnostics for a hassle-free experience.
- Integrated within LG's ThinQ app—a smart home hub for managing your smart devices and appliances.



CAPACITY		REFRIGERATOR		DIMENSIONS/CLEARANCES/WEIGHTS	
Refrigerator (cu. ft.)	18.4 cu. ft.	No. of Shelves	4 split (4 Fixed)	Product (W x H x D)	35 3/4" x 69 3/4" x 36 1/4"
Freezer (cu. ft.)	9.3 cu. ft.	Shelf Construction	Spill protector/Tempered glass	Width	35 3/4"
Total Capacity (cu. ft.)	27.7 cu. ft.	Shelf Trim	White décor	Height (to Top of Hinge)	69 3/4"
ENERGY		No. of Crisper Bins	2	Depth (with Handles)	36 1/4"
ENERGY STAR® Qualified	Yes	Pantry (Glide N Serve)	Yes	Width (Door Open 90° without Handle)	39 1/4"
Energy Consumption (kWh/Year)	726	Light	Yes	Width (Door Open 90° with Handle)	44 1/4"
WATER & ICE SYSTEM		REFRIGERATOR DOOR		Width (Door Fully Open without Handle)	63 1/2"
Ice & Water Dispenser	Yes	No. of Bins	3 (Left Door), 3 (Right Door)	Height (to Top of Case)	68 1/2"
In-door Ice maker	Yes (1)	Door Shape	Contour	Depth without Door	29 7/8"
In-door Ice maker Ice Type	Cubed / Crushed	Handle Type	Bar	Depth without Handles	33 3/4"
In-door Ice maker Daily Production	3.5 / 3.8 (IcePlus) lbs.	FREEZER		Depth (to Hinge Cover)	25 3/8"
In-door Ice maker Storage Capacity	2.5 lbs.	Door Type	Pull Drawer	Depth (Total with Door Open)	48 5/8"
Ice Plus	Yes	Handle Type	Smart Pull™ Handle	Depth (Draw Open Fully without Handle)	55 1/4"
Filteration System	1 stage	Drawers / Shelves	2-Tier Organization	Installation Clearance	Sides 1/8", Top 1", Back 2"
Filter	LT1000P	Freezer Light	Upper LED Lighting	Carton Dimensions (WxHxD)	38" x 73" x 39"
COOLING		Lower	No	Weight (Unit/Carton)	292 lbs. / 316 lbs.
Compressor Type	Smart Inverter	SMART TECHNOLOGY		LIMITED WARRANTY	
Evaporator	Yes (1)	Smart Diagnosis	Yes	Parts & Labor	1 Year
Multi Air Flow Cooling	Yes	Wi-Fi Enabled	Yes	Sealed System (Parts & Labor)	5 Years
Temperature Sensors	2	ThinQ® Technology	Yes	Compressor (Parts & Labor)	5 Years
Refrigerant	Low GWP, Zero ODP and More Energy Efficient Refrigerant (R600a / 55g / 1.94oz)	ThinQ® Care	Yes	Linear Compressor (Parts & Labor)	6 - 10 Years
CONVENIENCE		MATERIALS AND FINISHES		UPC CODES	
Display Type	Membrane / White LED	Hidden Hinges	Yes	LRFS28XBS (PrintProof™ Stainless Steel)	195174055243
Temperature Controls	Electronic/Digital	All Available Colors	PrintProof™ Stainless Steel, PrintProof™ Black Stainless Steel	LRFS28XBD (PrintProof™ Black Stainless Steel)	195174057094
Door Alarm	Yes	PrintProof™	Yes		
Child Lock	Yes	Insulation	Low GWP and Zero ODP Blowing Agent		
Auto Closing Door Hinge	Yes				
Sabbath Mode	Yes				
ADA Compliant	Yes				

Dimensions and Clearances

- Check the dimensions of the appliance and the installation path to ensure there is sufficient room to move the refrigerator through doors or narrow openings.
- If an opening is too narrow to fit the refrigerator through, remove the refrigerator doors. See Removing/Assembling the Doors and Drawers in this manual.
- The installation location chosen for the refrigerator should allow space behind the unit for connections and airflow and space in front to open the doors and drawers.
- Too small of a distance from adjacent items may result in lowered freezing capability and increased electricity consumption charges. Allow at least 24 inches (610 mm) in front of the refrigerator to open the doors, and at least 2 inches (50.8 mm) between the back of the refrigerator and the wall.
- **3-Door**



-	Dimension/Clearance	LRFWS2906* LFXS28566* LFXS28968* LFXS28596* LRFCS29D6* LHFS28XB* LRFS28XB*	
A	Depth without Handle	33 3/4" (857 mm)	
B	Width	35 3/4" (908 mm)	
C	Height to Top of Case	68 1/2" (1737 mm)	
D	Height to Top of Hinge	69 3/4" (1772 mm)	
E	Back Clearance	2" (50 mm)	
F	Depth without Door	29 7/8" (759 mm)	
G	Depth with Handle	36 1/4" (921 mm)	
H	Depth (Total with Freezer Drawer Open)	57 5/8" (1461 mm)	
I	Depth (Total with Door Open 90°)	48 5/8" (1234 mm)	