

LG REFRIGERATION

LRYXC2606_

26 cu. ft. Counter Depth MAX Refrigerator

Industry's Largest 26 cu. ft. Counter Depth Capacity

Pocket Handle Design with Welcome Light

Industry's First 3 Built-in Ice maker

Market First 4 Types of Ice

Cool Guard with Premium Backlit Lighting

AVAILABLE COLORS



PRINTPROOF™ STAINLESS STEEL



PRINTPROOF™ BLACK STAINLESS STEEL



Proactive Smart Alerts to Keep Your Appliances Running Smoothly

ThinQ Care

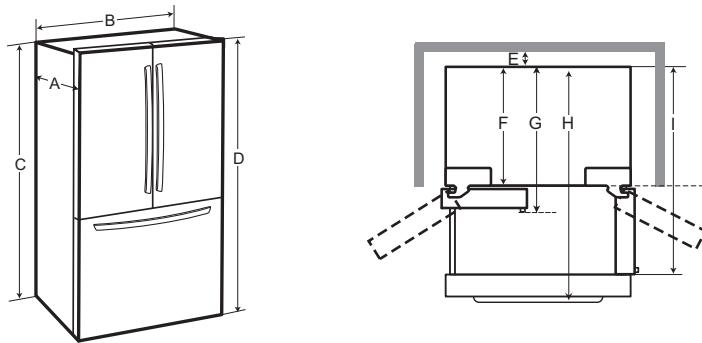
- Preventative Alerts help you stay a step ahead of potential issues to find proactive solutions before problems arise.
- Avoid preventable repairs and service calls with real-time diagnostics for a hassle-free experience.
- Integrated within LG's ThinQ app—a smart home hub for managing your smart devices and appliances.



CAPACITY		REFRIGERATOR		DIMENSIONS/CLEARANCES/WEIGHTS	
Refrigerator (cu. ft.)	16.9 cu. ft.	No. of Shelves	4 split (3 Fixed + 1 Retractable)	Product (W x H x D)	35 3/4" x 70 1/4" x 31 5/8"
Freezer (cu. ft.)	8.6 cu. ft.	Shelf Construction	Spill Protector/Tempered Glass	Width	35 3/4"
Total Capacity (cu. ft.)	25.5 cu. ft.	Shelf Trim	Metallic Décor	Height (to Top of Hinge)	70 1/4"
ENERGY		No. of Crisper Bins	2	Depth (with Handles)	29 1/8"
ENERGY STAR® Qualified	Yes	Pantry (Glide N Serve)	Yes (Temp. Control)	Width (Door Open 90° without Handle)	40"
Energy Consumption (kWh/Year)	699	Cool Guard	Yes	Width (Door Open 90° with Handle)	44 7/8"
WATER & ICE SYSTEM		Fresh Air Filter	Yes	Width (Door Fully Open without Handle)	56 3/4"
Ice & Water Dispenser	Yes	Light	Yes	Height (to Top of Case)	68 7/8"
Water Dispenser UVnano	Yes	Light (Back lit lighting)	Yes	Depth without Door	24 3/4"
In-door Ice maker	Yes (1)	REFRIGERATOR DOOR		Depth without Handles	29 1/8"
In-door Ice maker Ice Type	Cubed / Crushed	No. of Bins	4 (Left Door), 4 (Right Door)	Depth (to Hinge Cover)	18 1/4"
In-door Ice maker Daily Production	3.0 / 3.3 (IcePlus) lbs.	Door Shape	Flat	Depth (Total with Door Open)	43 5/8"
In-door Ice maker Storage Capacity	3.0 lbs.	Handle Type	Pocket	Depth (Draw Open Fully without Handle)	48 7/8"
No. Freezer Ice maker	Yes (2)	Handle Light	Yes	Installation Clearance	Sides 1/8", Top 1", Back 2"
Freezer Ice maker Ice Type	Craft & Mini Cubed	FREEZER		Carton Dimensions (WxHxD)	38" x 72" x 31"
Freezer Ice maker Daily Production	3 or 6 ea & 1.5 / 1.7 (IcePlus) lbs.	Door Type	Pull Drawer	Weight (Unit/Carton)	291 lbs. / 313 lbs.
Freezer Ice maker Storage Capacity	27 ea / 4.0 lbs.	Handle Type	Smart Pull™ Handle	LIMITED WARRANTY	
Ice Plus	Yes	Drawers / Shelves	3-Tier Organization	Parts & Labor	1 Year
Filteration System	1 stage	Freezer Light	Upper LED Lighting	Sealed System (Parts & Labor)	5 Years
Filter	LT1000P	Lower	No	Compressor (Parts & Labor)	5 Years
Dispenser Light Decoration	Yes	SMART TECHNOLOGY		Linear Compressor (Parts & Labor)	6 - 10 Years
COOLING		Smart Diagnosis	Yes	UPC CODES	
Compressor Type	Smart Inverter	Wi-Fi	Yes	LRYXC2606S (PrintProof™ Stainless Steel)	195174037690
Evaporator	Yes (1)	ThinQ®	Yes	LRYXC2606D (PrintProof™ Black Stainless Steel)	195174037706
Multi Air Flow Cooling	Yes	ThinQ® Care	Yes	MATERIALS AND FINISHES	
Temperature Sensors	3	MATERIALS AND FINISHES		Hidden Hinges	Yes
Refrigerant	Low GWP, Zero ODP and More Energy Efficient Refrigerant (R600a / 57g / 2.01oz)	All Available Colors	PrintProof™ Stainless Steel, PrintProof™ Black Stainless Steel	Insulation	Low GWP and Zero ODP Blowing Agent
CONVENIENCE		UPC CODES			
Display Type	Smooth Touch Control / White LED	LRYXC2606S (PrintProof™ Stainless Steel) 195174037690			
Temperature Controls	Electronic/Digital	LRYXC2606D (PrintProof™ Black Stainless Steel) 195174037706			
Door Alarm	Yes				
Child Lock	Yes				
Auto Closing Door Hinge	Yes				
Sabbath Mode	Yes				
ADA Compliant	Yes				

Dimensions and Clearances

- Check the dimensions of the appliance and the installation path to ensure there is sufficient room to move the refrigerator through doors or narrow openings.
- If an opening is too narrow to fit the refrigerator through, remove the refrigerator doors. See Removing/Assembling the Doors and Drawers in this manual.
- The installation location chosen for the refrigerator should allow space behind the unit for connections and airflow and space in front to open the doors and drawers.
- Too small of a distance from adjacent items may result in lowered freezing capability and increased electricity consumption charges. Allow at least 24 inches (610 mm) in front of the refrigerator to open the doors, and at least 2 inches (50.8 mm) between the back of the refrigerator and the wall.



Models without handles

-	Dimension/Clearance		LRYKC2606* LRYXC2606*
A	Depth without Handle		29 1/8" (739 mm)
B	Width		35 3/4" (908 mm)

-	Dimension/Clearance		LRYKC2606* LRYXC2606*
C	Height to Top of Case		68 7/8"(1750 mm)
D	Height to Top of Hinge		70 1/4"(1785 mm)
E	Back Clearance		2" (50 mm)
F	Depth without Door		24 3/4" (628 mm)
G	Depth with Handle		N/A
H	Depth (Total with Freezer Drawer Open)		48 7/8" (1239 mm)
I	Depth (Total with Door Open 90°)		43 5/8" (1106 mm)